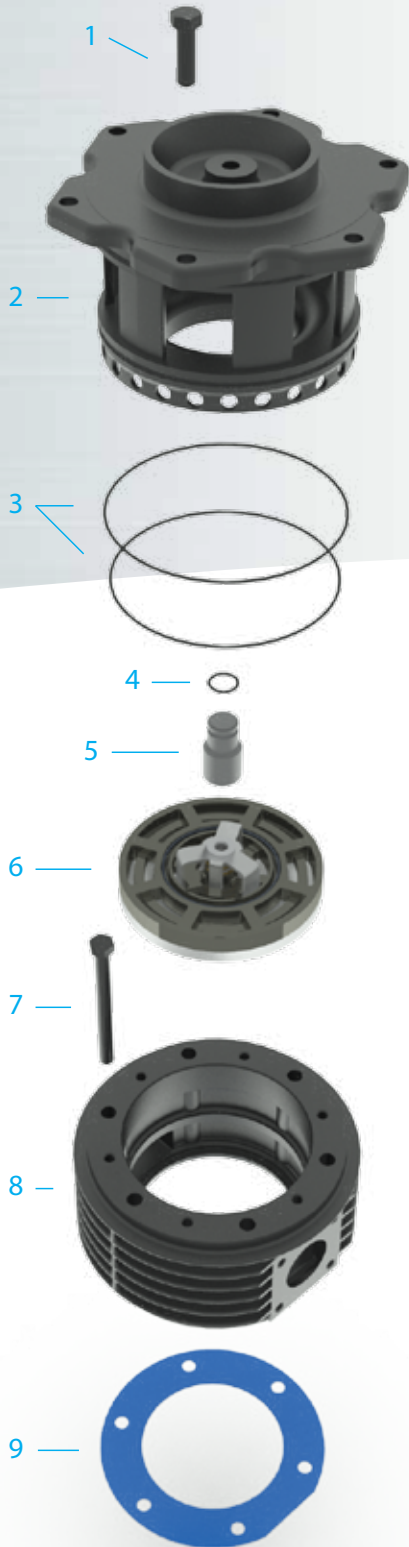


Concentric Valve Upgrade for Wabtec Compressors



Genuine Gardner Denver Valves

VALVE CHANGE REQUIREMENTS

Tools required **5**

Time required (m:s) **6:15**

Parts required **9**

Single Concentric Valve for intake and discharge per cylinder

If you could save time, labor, parts, and tool expense, would you?

Compare now!

GD
GARDNER DENVER™

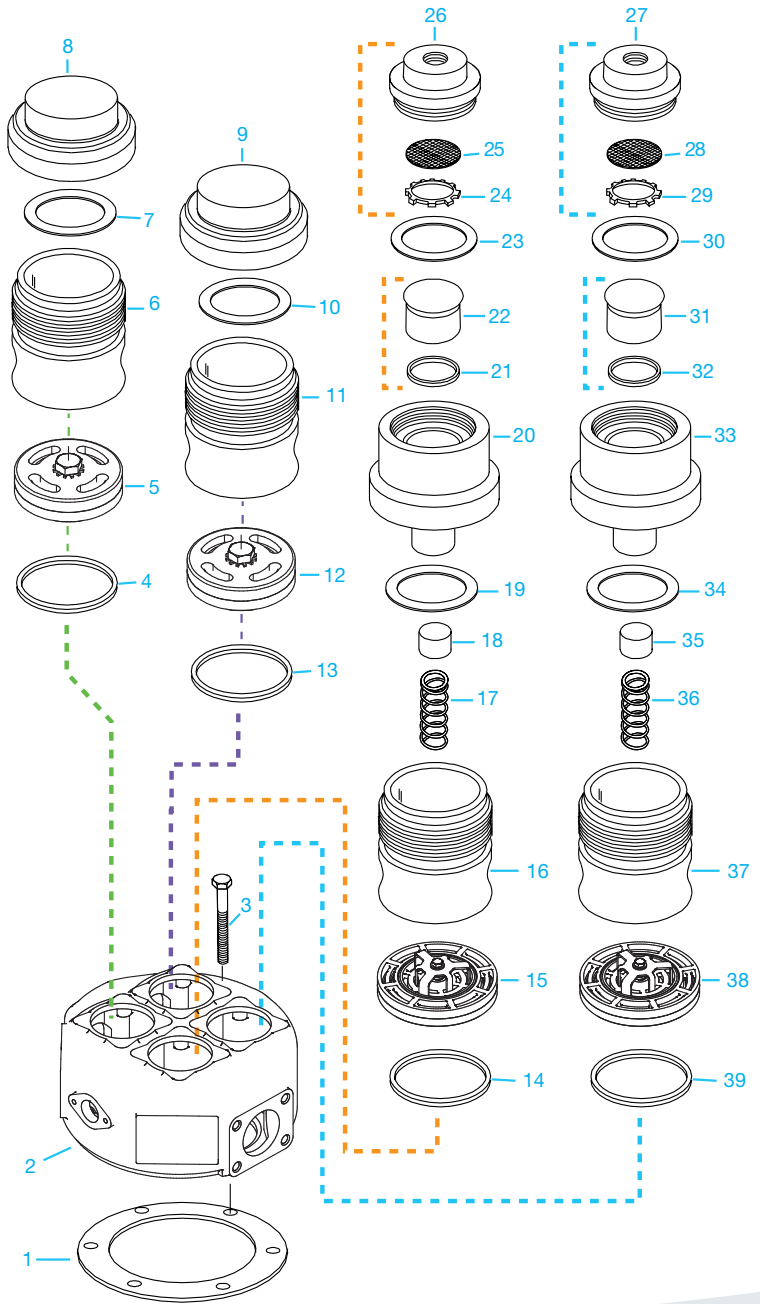
Experience Proven Results™

Wabtec Valves

VALVE CHANGE REQUIREMENTS	
Tools required	16
Time required (m:s)	48:01
Parts required	39
Two intake and two discharge valves per cylinder	

Now that you've seen the difference...

Turn to Gardner Denver to save time, labor, parts, tool expense, stress, and simplify your work!



Gardner Denver®

www.GardnerDenverProducts.com maggie@gardnerdenver.com
 Gardner Denver, Inc., 1800 Gardner Expressway, Quincy, IL 62305
 Telephone: (800) 682-9868 FAX: (217) 224-7814

©2011 Gardner Denver, Inc. Printed in U.S.A. GR-VALVES-102 1st Ed. 8/11



Please recycle after use.